

INSTALLATION, OPERATION AND MAINTENANCE

USER MANUAL

**infernus**[®]

GW-640

(400 x 400 mm basket)

DW-500

(500 x 500 mm basket)

**UNDERCOUNTER
GLASSWASHER-DISHWASHER**



This glasswasher-dishwasher was produced at environmentally friendly facilities without causing any harm to the nature.





Dear User,

Thank you for choosing Infernus glasswashers-dishwashers.

This undercounter glasswasher-dishwasher that you have selected has been designed to work for many years even at the busiest times of your business.

Please read this manual for getting the maximum efficiency from your machine and also to use it easier.

This manual should be kept in a safe place for the new users in your commercial kitchen or possible future owners.

You can contact your technical service, your dealer or us for any questions.



INSTRUCTIONS FOR INSTALLATION AND USE

CONTENTS

| | Page |
|--|-----------|
| - Appliance identification | 4 |
| I. MAIN CHARACTERISTICS | 5 |
| 1. Description of appliance..... | 5 |
| 2. Main components (exploded diagrams) | 5 |
| - Table 1: Technical data | 6 |
| 3. Precautions | 7 |
| 4. Safeguarding the environment..... | 8 |
| II. INSTALLATION INSTRUCTIONS | 9 |
| 1. Installation place | 9 |
| 2. Positioning..... | 9 |
| 3. Electrical connection..... | 9 |
| 4. Water main connections..... | 9 |
| 5. Safety devices..... | 10 |
| 6. Operation test | 10 |
| 7. Servicing | 10 |
| 8. Troubleshooting..... | 10 |
| 9. Layout of main components | 10 |
| III. INSTRUCTIONS FOR USE | 11 |
| 1. Description of panel..... | 11 |
| - Using the appliance..... | 11 |
| 2. Commissioning..... | 11 |
| 3. Working cycles..... | 11 |
| 4. Turning off the appliance in the event of faults..... | 12 |
| 5. Care and maintenance | 12 |
| IV. CONTROL PANEL FIGURE | 13 |

Appliance identification



I. MAIN CHARACTERISTICS

1. DESCRIPTION OF APPLIANCE

This handbook describes a number of appliance models. For more detailed information about the model in your possession, refer to "Technical Data" table 1.

The appliance has the following features:

- Automatic cleaning system running on the door is closed
- Two-way active in the cabin top and bottom of to the arm system is available.
- Automatic rinse aid and detergent dosing pump (optional)
- Consumer-friendly energy consumption values even with intensive use.

2. MAIN COMPONENTS

The components marked by a hatched line are defined for following models:
"GW-640, DW-500"

IDENTIFICATIONS

- | | |
|--------|------------------|
| 1..... | Heating Elements |
| 2..... | Control Panel |
| 3..... | Front Door |
| 4..... | Washing Motor |
| 5..... | Washing Arms |

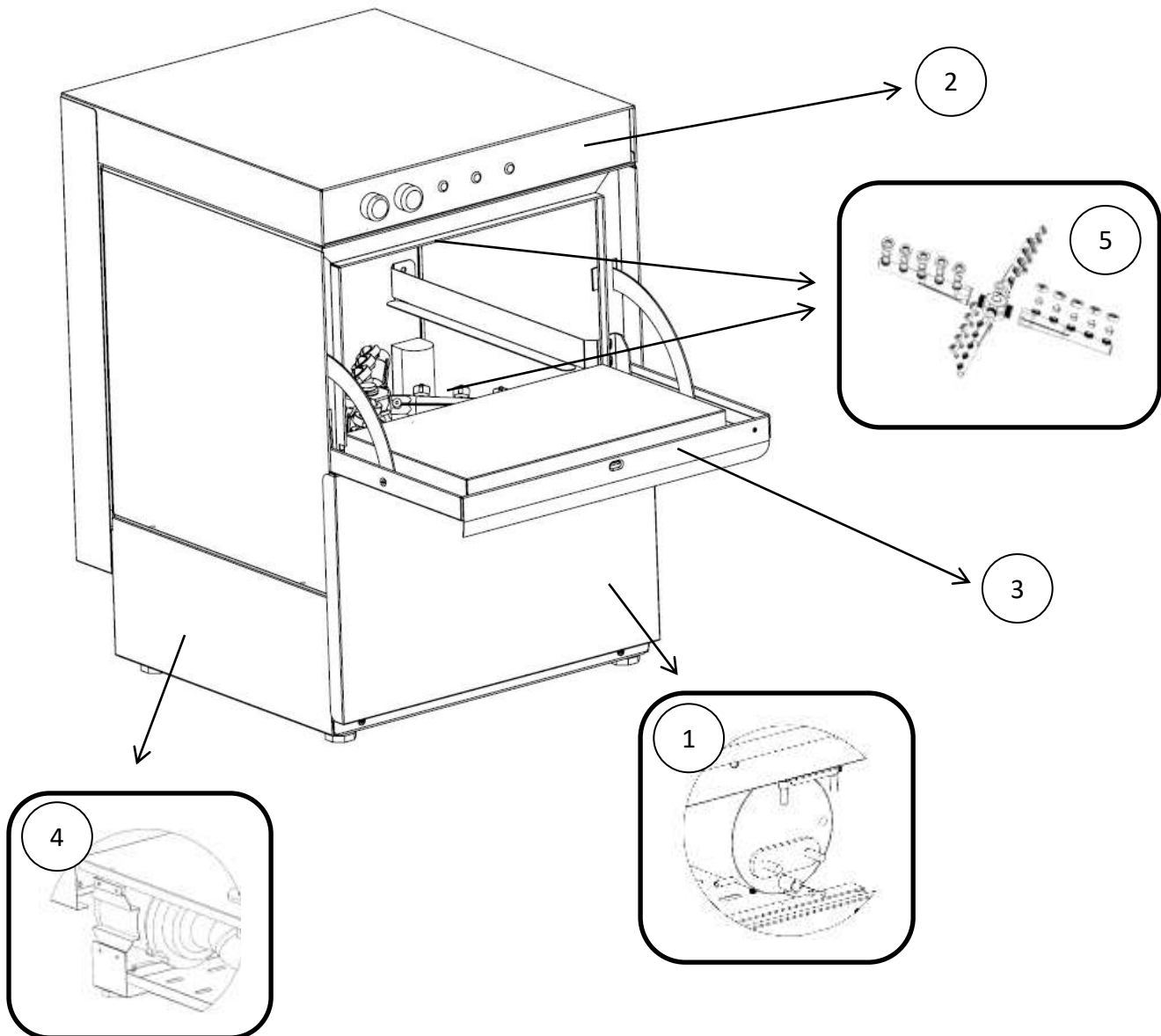
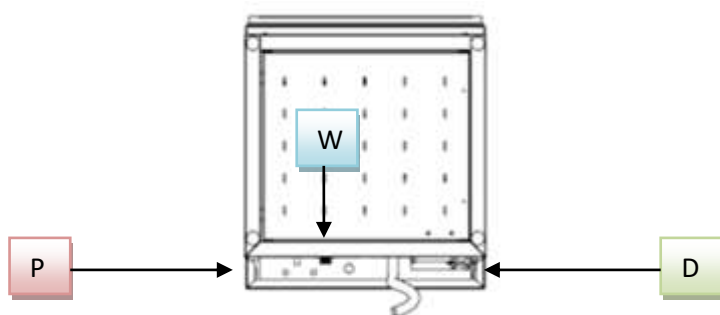


TABLE 1: TECHNICAL DATA

| TITLES | TYPE PROPERTIES | TYPE PROPERTIES |
|---------------------------------|-----------------|-----------------|
| BASKET SIZE (MM) | 400 x 400 x 100 | 500 x 500 x 100 |
| MODEL | GW-640 | DW-500 |
| INPUT VOLTAGE (VOLT) | 220 / 230 1N~ | 220 / 230 1N~ |
| FREQUENCY (HZ) | 50 ° 60 | 50 ° 60 |
| ELECTRICITY CONSUMPTION (KW) | 3,8 | 6,75 |
| POWER SUPPLY CABLE SECTION (MM) | 3 x 1,5 | 3 x 2,5 |
| WASHING MOTOR POWER (KW) | 0,26 | 0,6 |
| TOTAL HEATING POWER (KW) | 3,5 | 6 |
| NET WEIGHT (KG) | 50 | 60 |

Noise Emissions Data: The noise generated by the functional components of the appliances described in this handbook do not exceed 60 dB (A)



CONNECTION IDENTIFICATIONS

D – Detergent Input


W – Water Input


P – Power Input

3. PRECAUTIONS

The following symbols are used in the manual to mark and identify the various types of hazards:

| | |
|---|--|
|  | ATTENTION! HEALTH AND SAFETY HAZARD TO THE OPERATOR |
|---|--|


| | |
|---|---|
|  | ATTENTION! ELECTRICAL HAZARD CONTAINS DANGEROUS VOLTAGE |
|---|---|

| | |
|---|---|
|  | ATTENTION! ELEMENT OF THE MACHINE IS AVAILABLE DAMAGING |
|---|---|

- Before installing and commissioning the appliance, carefully read this instructions handbook which contains important information about the safety, operation and maintenance of the appliance.

- Keep this instructions handbook in a safe place for consultation by users or future owners if the appliance is resold.



| | |
|---|--|
|  | Important: The installation and maintenance of displacement of the device if necessary, at the same time, the process should be done only by personnel authorized by the manufacturer |
|---|--|

- This device is designed for definitely washing dishes (plates, forks, spoons). Wash is not suitable for other types of material or object.

The appliance must only be used by trained staff.

- This appliance is not intended for use by people (including children) with limited physical, sensory or mental abilities or without experience and knowledge of it, unless they are supervised or instructed in its use by a person responsible for their safety.
- Switch off the appliance if it breaks down or malfunctions.

- Repairs must only be carried out by authorised service centres using original spare parts. Failure to comply with this obligation may jeopardise the safety of the appliance and invalidate the guarantee.
- Do not wash the appliance with jets of water.



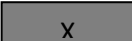
- Do not use products containing chlorine (bleach, hydrochloric acid etc.) even diluted, to clean the steel surfaces.
- Do not use corrosive substances (i.e. muriatic acid) to clean the floor underneath the appliance.
- For further information, refer to the chapter on “Care and maintenance”.

3.1 PERSONAL PROTECTION EQUIPMENT

Given below is a summary table of the Personal Protection Equipment (PPE) to be used during the various stages of the machine’s service life.

(*) During Normal use, gloves must be heatproof to protect hands when removing the hot materials from the appliance. Failure to use the personal protection equipment by operators, specialised technicians or users can involve exposure to chemical risk and possible damage to health.

| Stage | Safety Clothing | Shoe | Glove | Glasses | Earmuff | Mask | Safety Helmet |
|------------------|-----------------|------|-------|---------|---------|------|---------------|
| Transport | | X | | | | | |
| Carrying | | X | | | | | |
| Unpacking | | X | | | | | |
| Assembly | | X | | | | | |
| Daily Use | X | X | X(*) | | | | |
| Placement | | X | | | | | |
| Routine Cleaning | | X | X | | | | |
| Special Cleaning | | X | X | | | | |
| Maintenance | | X | | | | | |
| Disassembly | | X | | | | | |

SYMBOL  NECESSARY

 NECESSARY IN CASE OF NEED

 UNNECESSARY

3.2 RESIDUAL RISKS

The machine has several risks that were not completely eliminated from a design stand point or with the installation of adequate protection devices. For the Customer's complete information, the residual risks remaining on the machine are indicated below: such actions are to be considered incorrect and therefore strictly forbidden.

| RESIDUAL RISK | DESCRIPTION OF HAZARDOUS SITUATION |
|--|---|
| Slipping or falling | The operator can slip due to water or dirt on the floor |
| Burns | The operator deliberately or unintentionally touches some components inside the machine or dishes at the outfeed without using gloves or without allowing them to cool. |
| Danger of electric discharge (Electrocution) | Contact with live parts during maintenance operations carried out with the electrical panel powered. The operator intervenes (with a power tool or without disconnecting the power to the machine) lying down on the floor. |
| Hear unusual noises from the machine | During the washing machine during maintenance or damage as a result of improper use of accessory |
| Chemical hazard | Contact with chemical substances (e.g. Detergent, rinse aid, scale remover, etc.) without taking adequate safety precautions. Therefore always refer to the safety cards and labels on the products used. |

3.3 TECHNICAL DATA PLATE



Meaning of fields given on the plate

M.Mod:.....Product model
Ser. No:.....Serial number
MKS:.....Manufacturer
Made in Turkey:.....Place of manufacture
EL:..power supply, voltage, phase type
Hz:..power supply frequency
kW:max. power input
EL:..electrical
CE:..CE marking
IP:..degree of protection

When you request information on the device serial plate informations are priority values to be your assistant.

4. SAFEGUARDING THE ENVIRONMENT

4.1 PACKAGING

- All the packaging materials used are environmentally friendly. They may be stored at no risk or burnt at an authorised incineration plant. Plastic materials suitable for recycling are marked with the following symbols:

Polyeththlene: External wrapping film, instructions booklet bag and gas injectors bag.

Polypropylene: Top packaging panels and straps

Expanded polystyrene: Protective surround elements

4.2. USE


- Our appliances have been designed and perfected by means of laboratory tests to guarantee high levels of performance and efficiency. However, to minimise energy consumption (electricity, gas and water), avoid using the appliance under no-load conditions or conditions that impair optimal performance, i.e. with the door open. We also recommend preheating the appliance immediately prior to use.

4.3 CLEANING

To minimise the emission of harmful substances into the atmosphere, clean the appliance (externally and, where necessary, internally) with products which are at least 90% biodegradable.

4.4 DISPOSAL

- The appliances must be disposed of properly at the end of its service life.
- Our appliances are made from 90% recyclable materials (stainless steel, iron, aluminium, galvanised sheet steel, etc.). These materials may therefore be recycled in accordance with local waste disposal regulations at a conventional recycling plant.
- Make the appliance unusable by cutting off the power cord. Also remove any closure device fitted on the appliance to prevent children from becoming trapped inside.

The symbol  on the product indicates that this product should not be treated as domestic waste, but must be correctly disposed of in order to prevent possible negative consequences for the environment and the human health. Regarding the recycling of this product, please contact the sales agent or the dealer of your product, your after-sales services or the appropriate waste disposal service.

II. INSTALLATION INSTRUCTION

1. INSTALLATION PLACE

- The appliance must only be installed in adequately ventilated premises. Device is located on the ground if necessary, must have a hood and exhaust fans.

2. POSITIONING

- Unpack the appliance and carefully remove the protective film from the external panels. Use a suitable solvent to remove any glue residue left on the panels.
- Remove the protective film and make sure the packing material is not dispersed in the environment but disposed of according to the current regulations in the country where the product is used.
- Left and right side of the machine during installation so that the space should be given to the nearest 10 cm.
- Position the device on a flat surface and if necessary, adjust the height according to the characteristics of the environment by means of the feet is required.
- **Dispose of the packaging as instructed in the chapter on "Safeguarding the environment".**
- At the beginning of this manual for the device in general dimensions and connections, see installation diagrams.

3. ELECTRICAL CONNECTION

- **The device must be connected to the power supply in accordance with necessary regulations.**
- Before connecting the appliance to the mains power supply, make sure the voltage and frequency shown on the appliance rating plate correspond with that of the power supply.
- The appliance must be permanently connected to the mains power supply using an **H05 RN-F** type cable.
- Care must be installed in front of the device during the device can be locked in open position (lockplug, key lock, or similar instruments).
- The appliance must be suitably **earthed**. Otherwise, the Authorized Service will not be by the mounting of the product.
- In addition, the device must be connected to a system of **copotentiality**.
- The outlet is connected to the line only for the load of the device must have a fuse of **16 A**.

3.1 INSTALLING THE POWER SUPPLY CABLE

To connect the power supply cable, proceed as follows:

- The power cord is in the backright of the device output.
- The leakage current of 20A-30 Ma is connected to the relay, even with the main board should have an 16A insurance system.

The manufacturer declines any responsibility for failure to comply with existing accident prevention standards.

4. WATER MAINS CONNECTIONS

(Refer to the installation diagrams at the beginning of this handbook).

Fit a mechanical filter and shut-off cock between water inlet pipe and the mains water supply. Before connecting the filter, run off a certain amount of water to remove any ferrous particles from the piping.

- The water inlet must be connected to a drinking water supply with pressure of **4bar**.

4.2 WATER DRAINAGE SYSTEM

Each drain plug located on the left goes to the machine with the help of water in waste water flows through the line. This is the place where the line goes to work correctly, the machine must be above the level.

Folding and pinching all along the line of drain hose and the metal brackets on the check and drain pipe line system to prevent the accumulation of water at least 5 ° Make sure the slope.



Important: Ventilation at the bottom of the device status is appropriate, and please make sure that waste water evacuation system is working actively.

5. SAFETY DEVICES


The appliance is fitted with the following safety devices:

Resistance temperature safety thermostat(manual reset type) is mounted under the frame. Safety thermostat heater power of the machine is set to cut if necessary. Safety thermostat can be reset only by QUALIFIED TECHNICIANS.

Washing motor thermal protection thermal fuse in case of over heating, causing shut off the device (check the wiring diagram). The device is intended top revert big damage that may occur. Over heating engines to disable entering a thermal origin. Commissioning and causes of the problem only can be provided by authorized service technician will be determined by the authorized person. (Optional)

6. OPERATION TEST

- Follow the directions for use on the appliance.
- The information contained in this User's guide contains information about the routine operation and cleaning, and allows for the desired manner.

| | |
|--|--|
|  | Important: <ul style="list-style-type: none">-Never open the front door while the machine performing a washing, wait for the process to end.-Do not cover the top of the appliance during use. |
|--|--|

7. SERVICING

Components that require routine maintenance access can be achieved by opening the front of the lower trunk lid and the top cover. This process is carried out only by qualified service personnel.

8. TROUBLE SHOOTING

Certain faults may occur during normal use of the appliance:

The machine has less heated or not heated washing water.

Reason:

- Failure of resistance.
- Resistance contactor failure.
- Thermostat failure.
- Failure of switch.

Shuts down the machine

Reason:

- Over heating of engine breakdowns
- The main control circuit board to take insurance

The machine receives continuous water

Reason:

- Pressure switch metering may be an issue. Boiler water to pour into the machine again, this work should be done.
- Pressure switch failure.

Coming off the dirty dishes

Reason:

- The network pressure may be low (2 bar below)
- Rinse arms obstruction. Disassembled and cleaned parts of the arms. If there is scale problem of should be taken measure absolutely.
- Appropriate of the chemical product not used
- Low temperature of water

If the machine is doing foam

Reason:

- The boiler water temperature reaches the desired level has begun the process of washing. (See. 2.1 Instruction)
- Put into the machine as a result of the wrong type of detergent

9. MAIN COMPONENTS LAY OUT

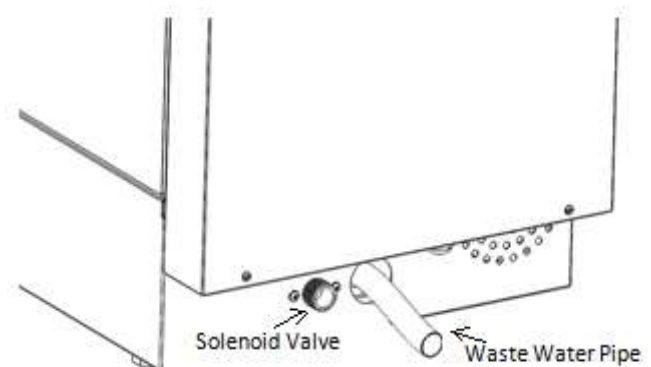
(All work inside the appliance must only be carried out by a trained installer authorised by the manufacturer.)

Get behind the bottom of the device or open the door to reach the following components. (FIGURE A)

- Water solenoid (Ventil) valve.

Note: All electrical components of the device, including all of the power source terminal and protective fuses can be accessed by opening the top cover.

- Opening the bottom cover by removing the front lower pannel, engine thermostats and heating elements can be accessed.



II. INSTRUCTIONS FOR USE

Before switching on the appliance, carefully read this instructions manual which contains important information about correct and optimum use of the appliance. For further information about the performance characteristics and washing machine consult your local dealer.

- Every six months the performance of a wash and rinse the other parts of the line product is going to be mounted by a qualified technician will ensure that there is no decrease in performance.
- Periodically (at least once a year) should be general control of device. For this purpose, we recommend a service agreement with the competent service.
- The maximum water hardness **12°F** and **1000mS /cm (25 °C)** conductivity value. Fail to comply with these values on a product may occur breakdowns when using tap water. These kind of breakdowns are not covered by the guarantee. Consult your authorised water supplier to check your water hardness. Use water softener system in case of need.
- The machine will be placed into the plates using a basket placed at intervals allowed by the appropriate area.
- Do not place dishes into the machine exceeding interior cabin height of maximum 300 mm.

1. DESCRIPTION OF THE CONTROL PANEL

1.1. INTRODUCTION

To facilitate familiarisation with the dishwashers functions, refer to the fold-out page at the end of this booklet, illustrating the control panel.

The different functions available on the various models are described below.

Some functions are common to all models while others are only available on certain models.

1.2. CONTROL PANEL

(Refer to figure at the end of booklet.)

- A** - On-Off Button
- B** - Power Lamp
- C** - Heat Lamp
- D** - Washing Lamp
- E** - Rinsing Lamp
- F** - Drainage Button (Optional)
- G** - Washing Button

USING THE APPLIANCE

2.COMMISSIONING

(Please refer to the shape of the control panel at the end of the booklet)



Information

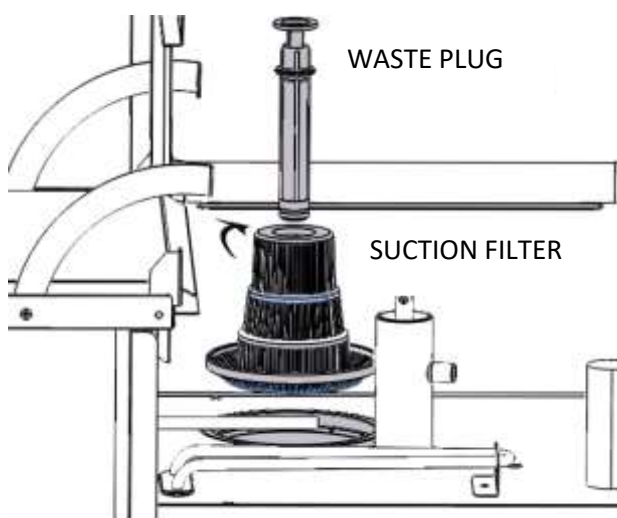
Before opening the device, make sure the device is connected to the ground line and power source. Water on / off, turn the valve must open.

2.1 TURNING ON THE APPLIANCE

- Press on-off button **"A"**. Power light **"B"** will illuminate. Make sure the machine's door is closed. The machine will begin the process of obtaining water. At the end of the water obtaining process automatically, the water heating process will start. Once the heating process is complete, the heat lamp **"C"** will be lit. This is the point when the dishwasher is ready for the loading. In this case, open the machine's door. Then place the soiled dishes into the basket to be washed. After, move the basket into the machine and close the machine's door. To begin the process of washing, press the washing button **"G"**. The machine will begin the process of washing. During this process, **"D"** washing indicator light will illuminate to show washing process continues. When the light turns off, washing is finished. But afterwards, the machine waits for 5 seconds and rinsing process will be activated for 15-20 seconds while rinsing indicator light **"E"** illuminates. After this process is completed, the rinsing indicator light will be turned off. Open the machine's door and remove the basket with clean dishes.
- Try to put the dishes into the machine free of rough waste. This will significantly affect washing performance.
- At the very first washing cycle, using the machine while water temperature is not heated enough will create a negative situation. Cleaning chemicals will action with unheated water in the machine which will create a foamy water. Therefore, make sure that the heating indicator lamp lit before starting the washing process.
- The built-in automatic rinse aid dosing pump (optional) and the built-in automatic detergent dosing pump (optional) takes place through the process itself. Make sure that the button on the pumps are switched on. Plunge the mouths of the pumps hoses directly into the detergent and rinse aid liquid boxes. Always use high quality detergent and rinse aid liquids to reach perfect washing results. You can get more information on this significant subject from the authorized dealer or technical service.
- The machine also can do detergent and rinse aid dosing process with an external pump. For the connection of detergent or rinse aid dosing pumps and their electrical connectors subsequently, you will see the indicating marks on the machine.

2.1 TURNING OFF THE APPLIANCE

At the end of day the device must be turned off from the button "A". The light "B" will be off which indicates the power is off. These steps been fulfilled after the water is emptied in the device. This process is carried out by the user, by pulling the waster plug out (See FigureB). (On drain pump models "F" button to be pushed which turns the drain pump on. This process is followed with the eye. Waste plug must be pulled out either on drain pump models or gravity drain models). Do not put the waste plug on its place until the water is completely drained. Replace the plug after observing, and definitely make sure that the plug is fitted its place. If the appliance is not going to be used for long term, cut off the machine's electricity. Suction filter should be checked each day before using the machine. Remove it by turning clockwise and clean under water. Make sure to put the suction filter back before running the machine.



(FIGURE B)

4. TURNING OFF THE APPLIANCE IN THE EVENT OF FAULTS

In the event of faults, switch off the appliance as follows:

- Disconnect the appliance from the main power supply at the isolating switch and close the water cocks.
- Contact a technical service centre with personel trained and authorised by the manufacturer.

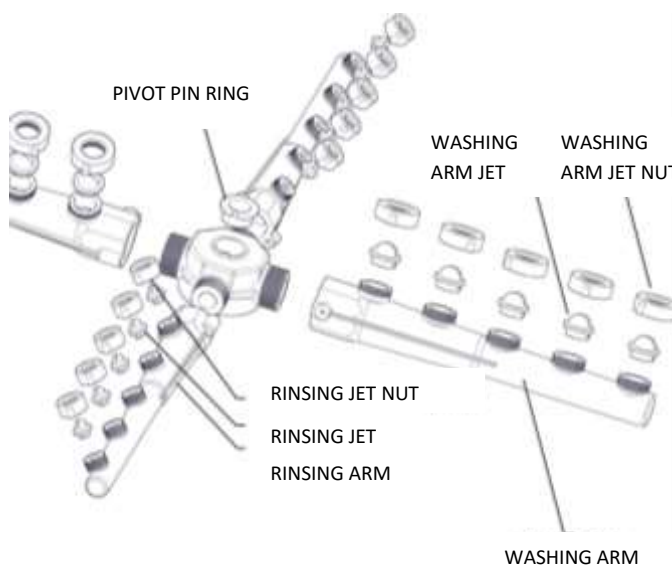
5. CARE AND MAINTENANCE

- Disconnect the appliance from the main power supply at isolating switch and close the water cocks.
- Do not wash the appliance with jets of water.
- Do not use products containing chlorine (bleach, hydrochloric acid etc.) even diluted, to clean the steel surfaces. Recommended that you use only stainless steel maintenance spray.
- Do not use corrosive substances (i.e. muriatic acid) to clean the floor underneath the appliance.

| MAINTENANCE, INSPECTIONS, CHECKS AND CLEANING | FREQUENCY |
|---|-----------------|
| Routine cleaning | Daily |
| General Cleaning of the machine and surrounding area | |
| Mechanical protection devices | Mounthly |
| Check condition and for any deformation, loosening or removed parts. | |
| Make the general cleaning of washing arms (FigureB) | Yearly |
| Control and Machine structure | |
| Check mechanical part for any breakage or deformation, tightening of screws. Check readability and condition of words, stickers and symbols and restore if necessary. | |
| Electrical connection cable and plug | Yearly |
| Check connection cable (replace it if necessary) and plug. | |

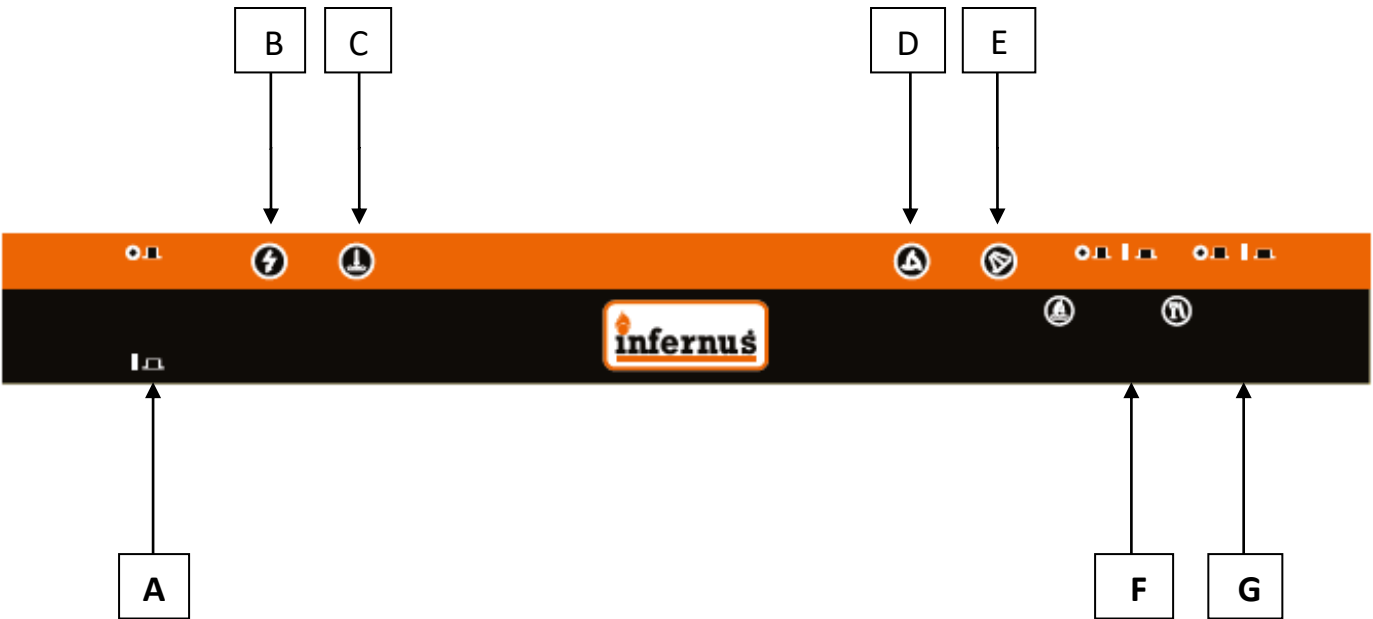
5.1 WASHING ARMS GENERAL CLEANING

The upper and lower washing arms placed in the machine must be cleaned periodically at the end of each month. This process can be done by removing the washing arms from the bolts manually which is connecting the arms to the machine. Afterwards, the jet nuts should be cleaned by removing them from the washing arms. As shown at the FIGURE C, washing and rinsing arms should be disassembled and their inside should be cleaned with water. Any accumulation of dirt in jets mouths should be cleaned with a suitable fine-edged objects. Jets are very delicate and they are likely to be affected by increases in hardness of the rinsing water. Sedimentary and hard water will led clogging very quickly. Therefore, rinse arms must be checked periodically and cleaned if needed. This is a factor that directly affecting the washing performance of the machine.




(FIGURE C)

CONTROL PANEL



- A** - On-Off Button
- B** - Power Lamp
- C** - Heat Lamp
- D** - Washing Lamp
- E** - Rinsing Lamp
- F** - Drainage Button (Optional)
- G** - Washing Button



Important:
The step by step instructions describing how to operate your dishwasher is located at page 11, under II. INSTRUCTIONS FOR USE part.

Make sure that you read the instructions before operating your dishwasher.



Distributor: Drummond Trade Ltd
 Unit 5A, Riverview farm, Overcote road, Over, Cambridge, CB24 5NT, UK
 Tel.: +44 01954231030
 E-mail: sales@infernus.co.uk