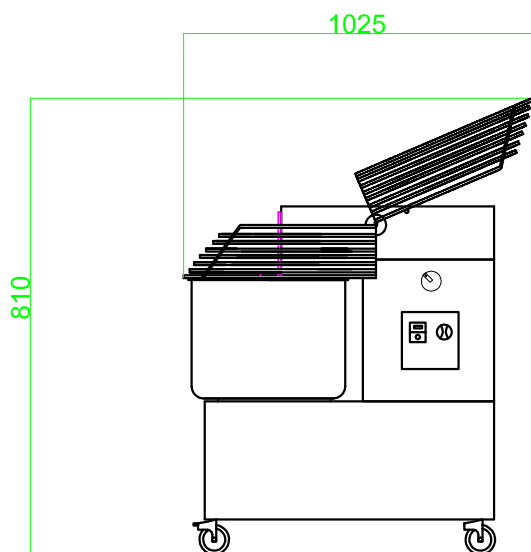


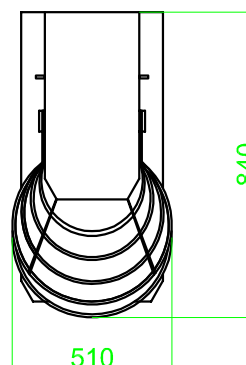
SCHEMA TECNICA IMPASTATRICE L42

Spiral machines L42 technical sheet



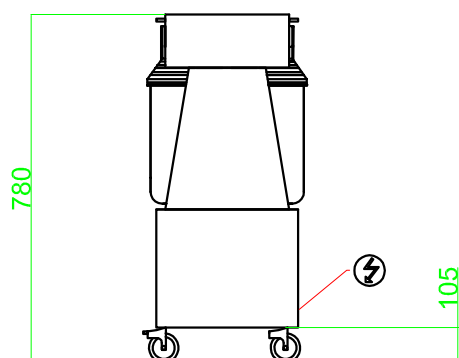
VISTA LATERALE

Side view



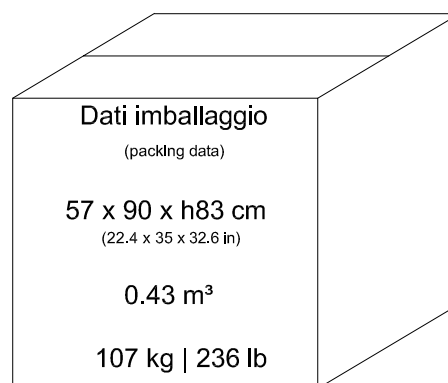
VISTA DALL'ALTO

Top view



VISTA DIETRO

Rear view



VOLT [V]	SPEED [rpm]	AMPERE[A]	POWER [Hp]	BOWL SPEED [rpm]	SPIRAL SPEED [rpm]	HERTZ[Hz]
230 - 1PH + N	1	9.6	2	10	97	50
400 - 3PH + N	1	3.3	2	10	97	
400 - 3PH + N	1	3.3	2	10	97	
400 - 3PH + N	2	4.5	3	20	180	

PESO NETTO | net weight : 94 Kg | 207lb

CAPACITA' | capacity : 42 lt / (33 kg | 73lb)

DIMENSIONI | Dimension : 510x840xh780 mm | 20x33x31 in

SPECIAL VOLTAGES ON REQUEST