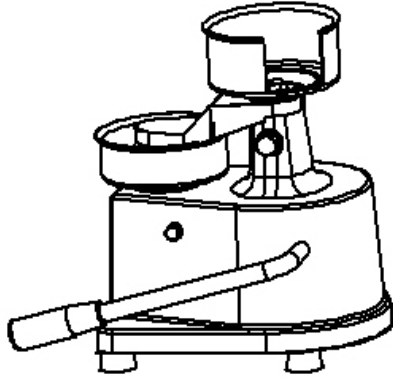


# **OPERATION INSTRUCTIONS**

## **HAMBURGER MACHINE**



HF-100/HF-130/HF-150

### **INSTALLATION**

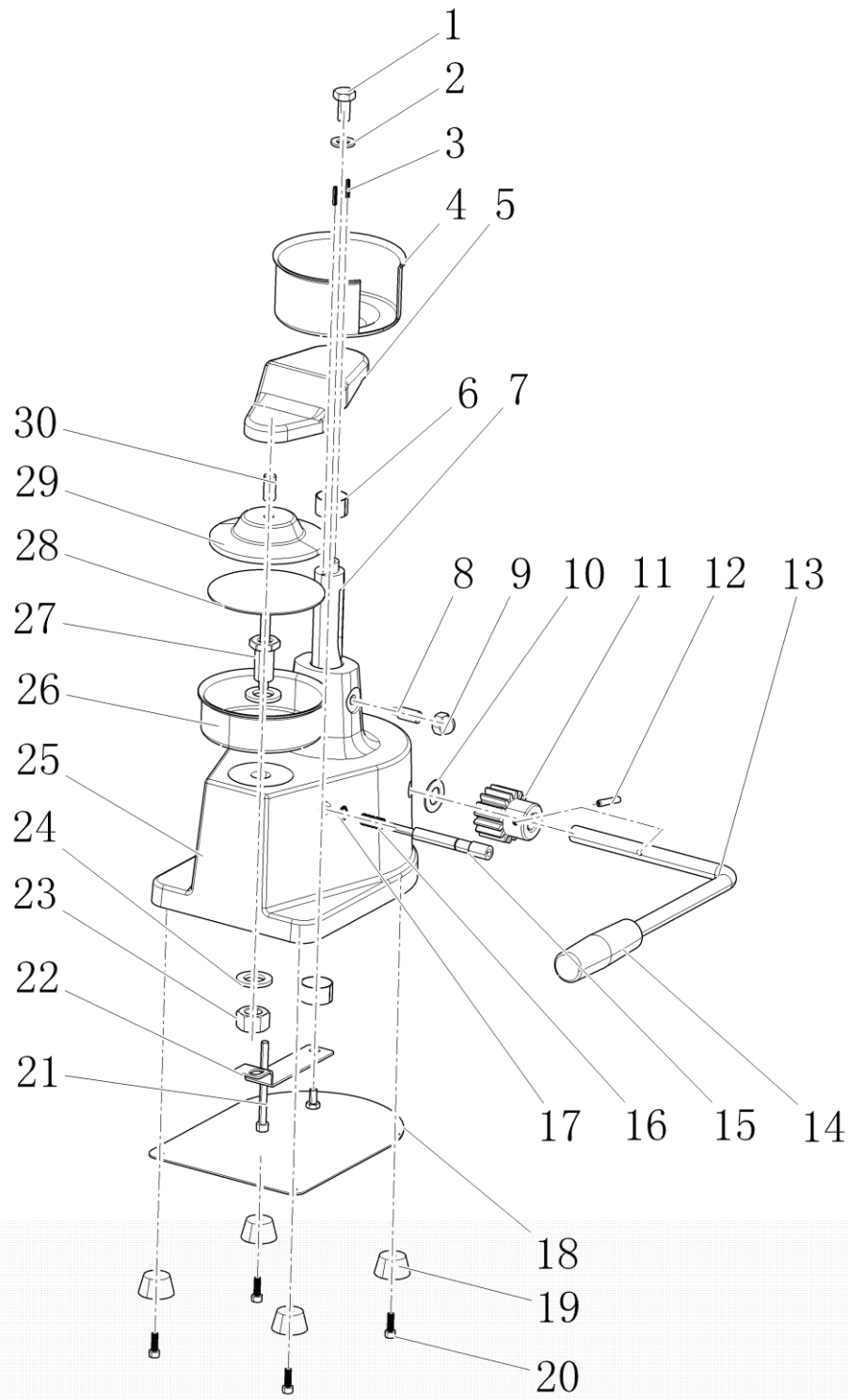
- Install the machine onto a solid, stable, non-slip surface. This area should be large enough to allow easy access & cleaning.
- Put the cellophane discs into the holder at the top of the machine.

### **USE**

- Put one cellophane disc into the holder.
- Then place a small quantity of minced meat, according to the thickness required.
- Place another cellophane disc on the meat.
- Pull the lever down to form the hamburger.
- Lift the lever, which will lift the hamburger for easy removal.

### **CLEANING**

Carefully clean the machine with damp cloth and then wipe off with a dry cloth.



1	Hexagon bolt
2	Plain washers
3	Spring pin
4	Paper tray
5	Briquetting stents
6	bearing
7	Rack shaft
8	Screw
9	Acorn nut
10	Gasket
11	Gear
12	Pin
13	Handle setting shaft
14	Bakelite handle
15	Push bar
16	Spring
17	bead flange
18	Base board
19	Foot
20	Inner hexagon screw
21	Inner hexagon screw
22	Board
23	Thick hexagonal nut
24	Gasket
25	Body
26	Food tray
27	Swivel nut
28	Pressure plate
29	Briquetting
30	Hexagon bolt